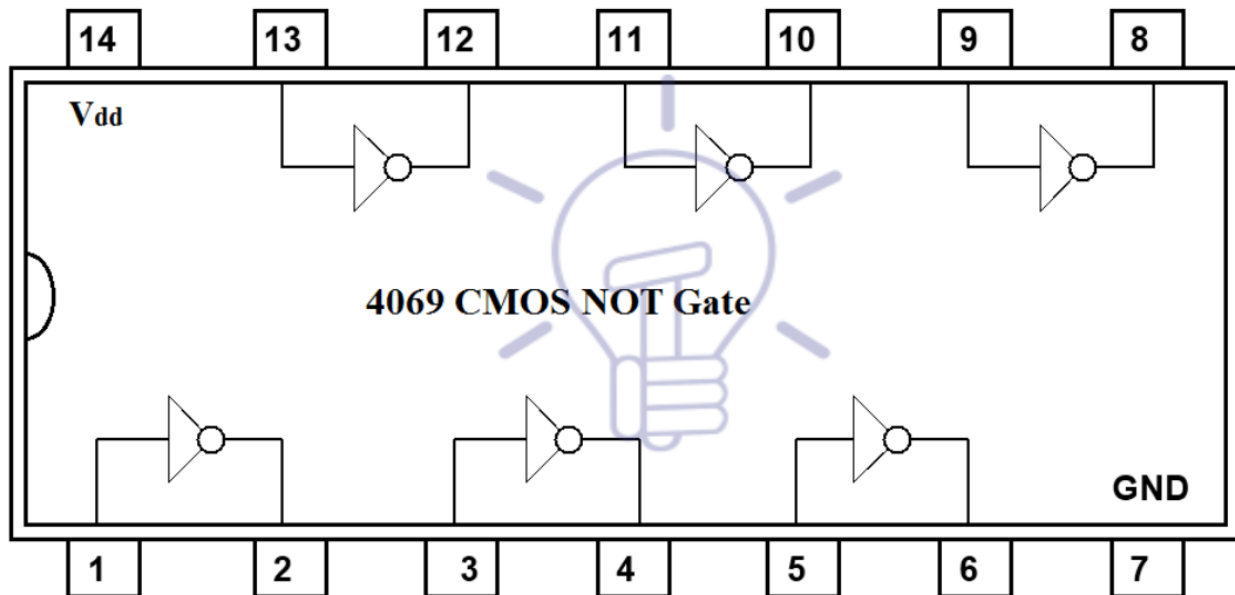


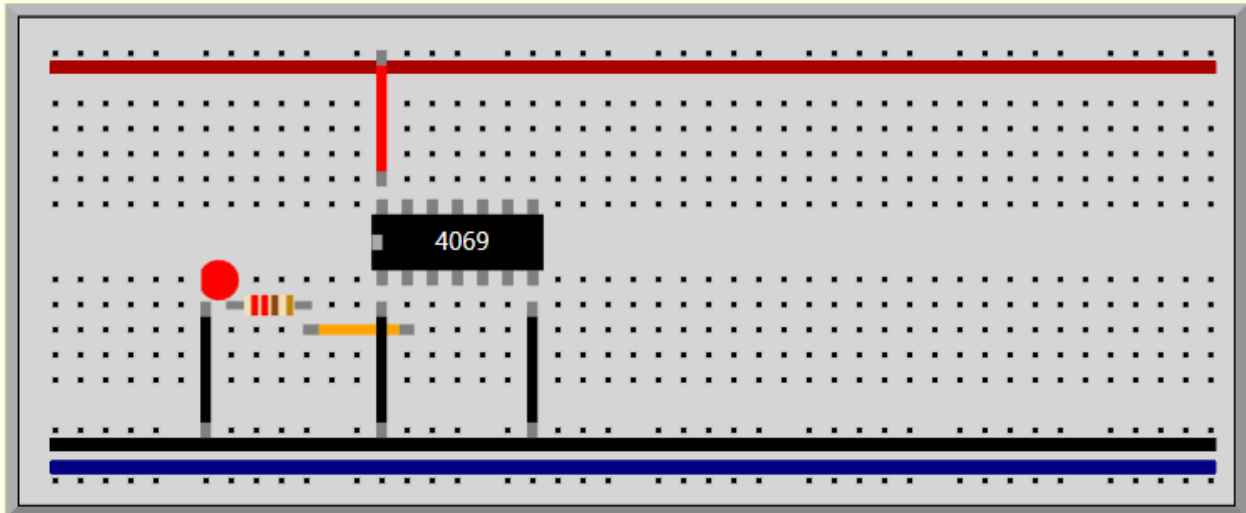
## Digital Logic Gates in Breadboard simulator Lab

- Not Gate (4069)

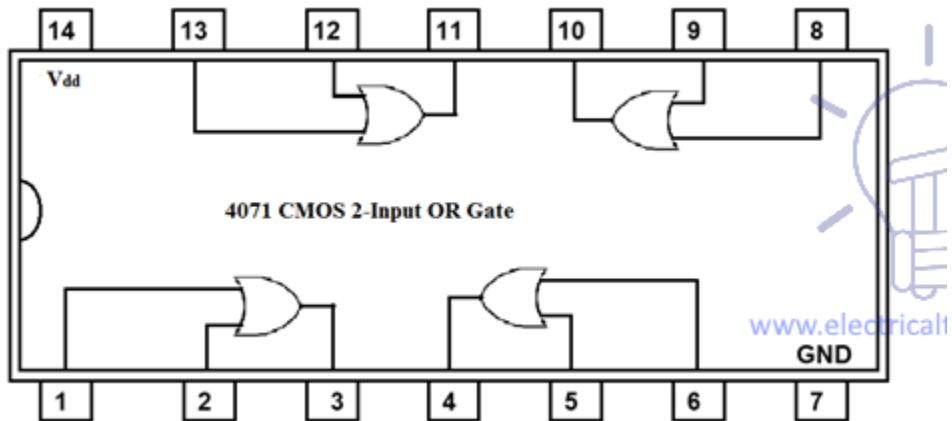


Pin Number	Configuration
1	Input 1
2	Output 1
3	Input 2
4	Output 2
5	Input 3
6	Output 3
7	GND
8	Output 4
9	Input 4
10	Output 5
11	Input 5
12	Output 6
13	Input 6
14	Vcc, voltage supply +5v

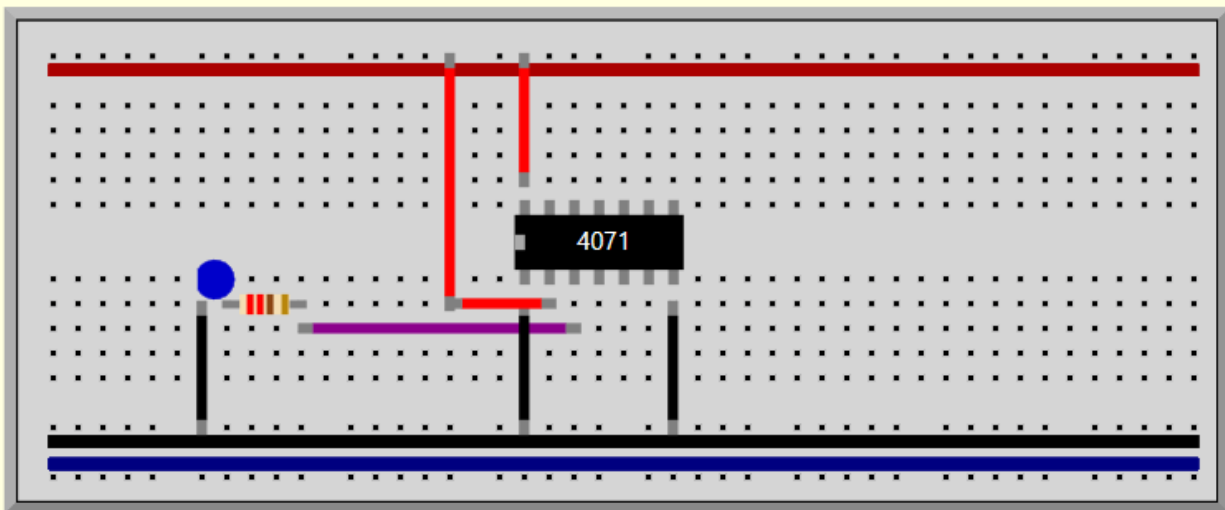
## NOT gate in breadboard simulator



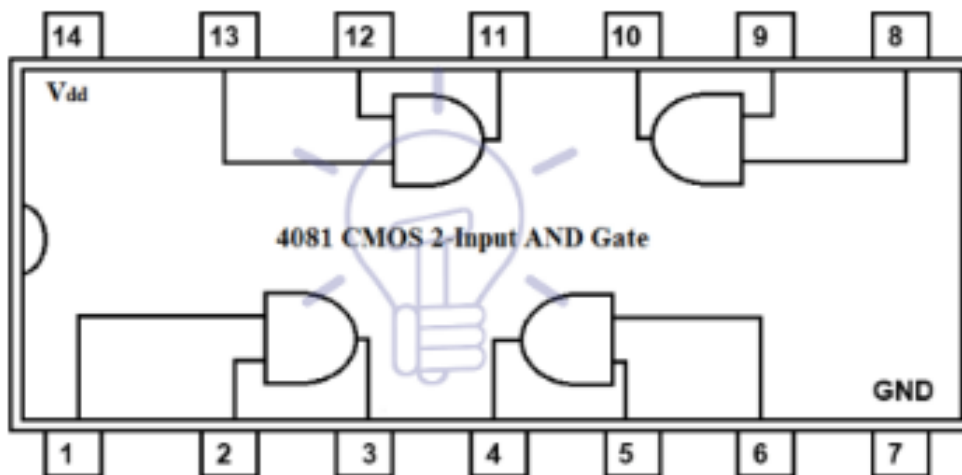
- OR gate (4071)



## OR gate in breadboard simulator



- AND gate (4081)



## AND gate in breadboard simulator

